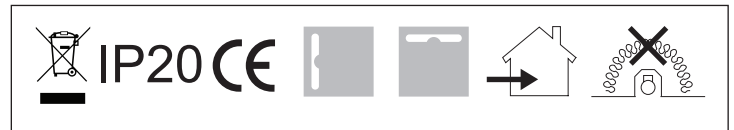
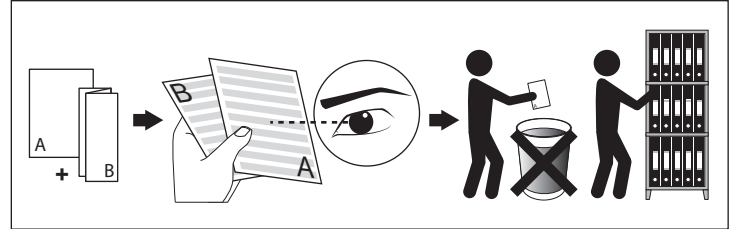


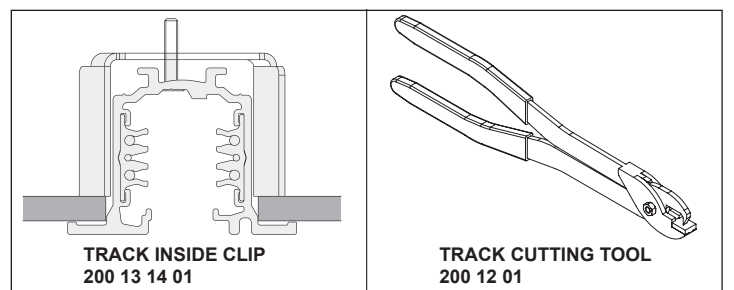
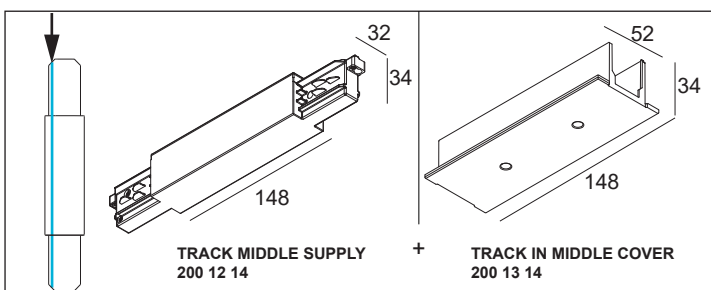
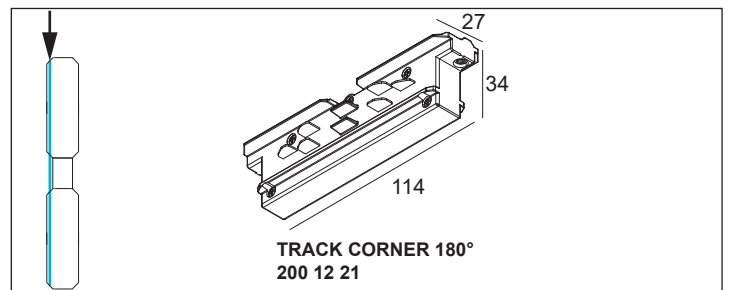
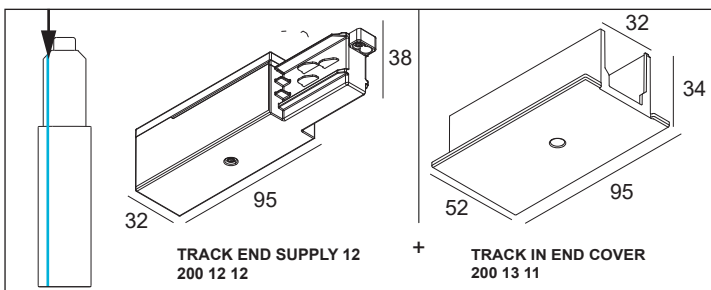
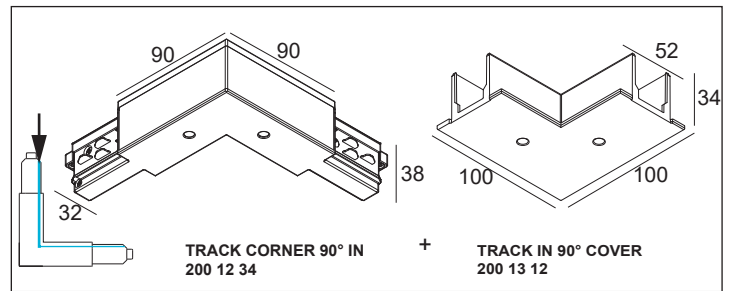
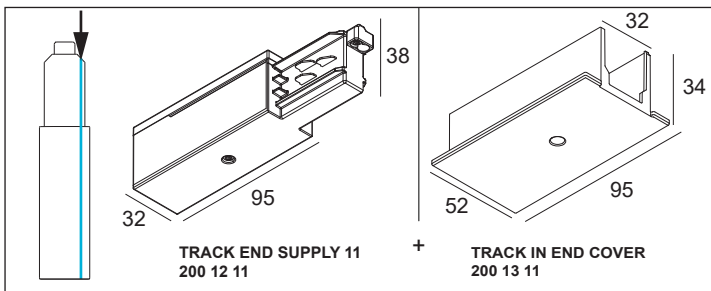
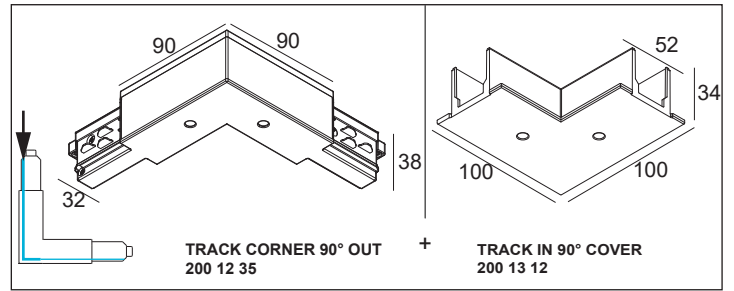
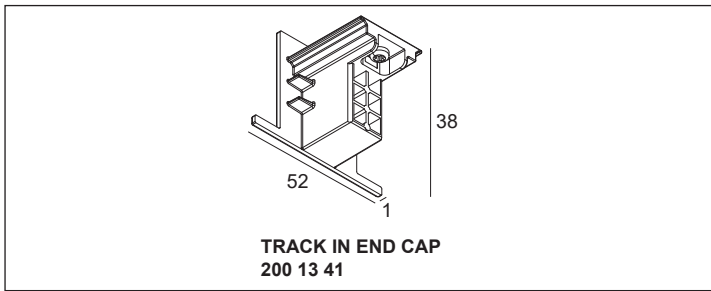
TRACK 3F DIM IN

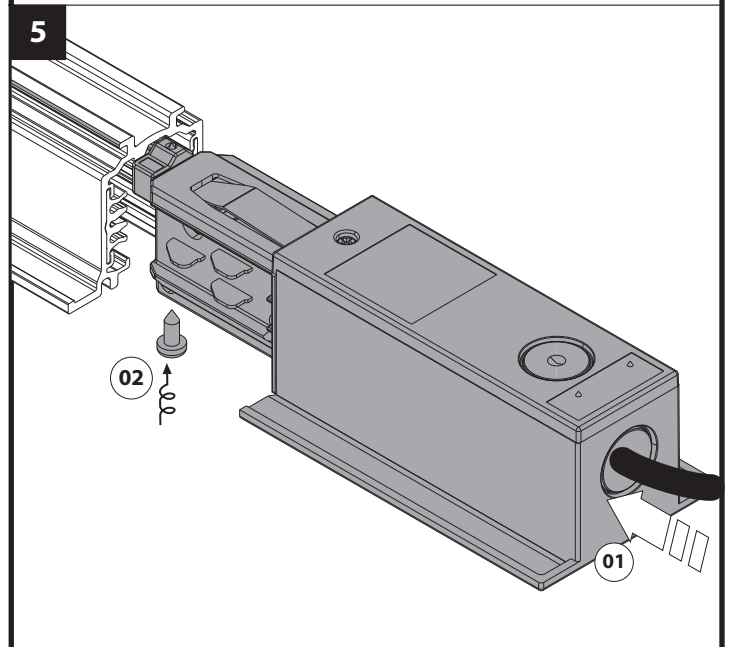
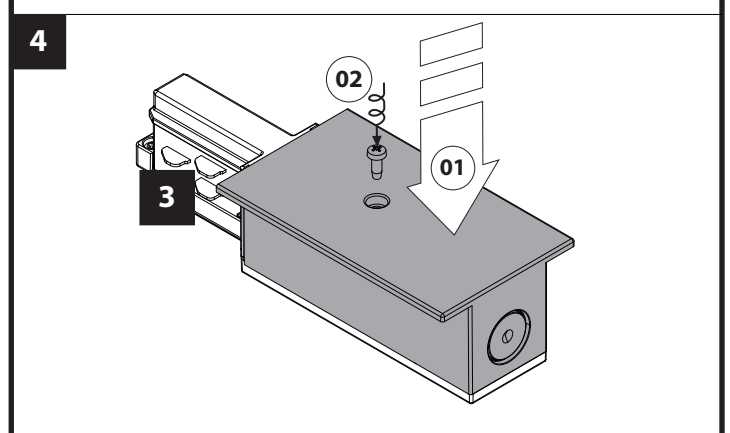
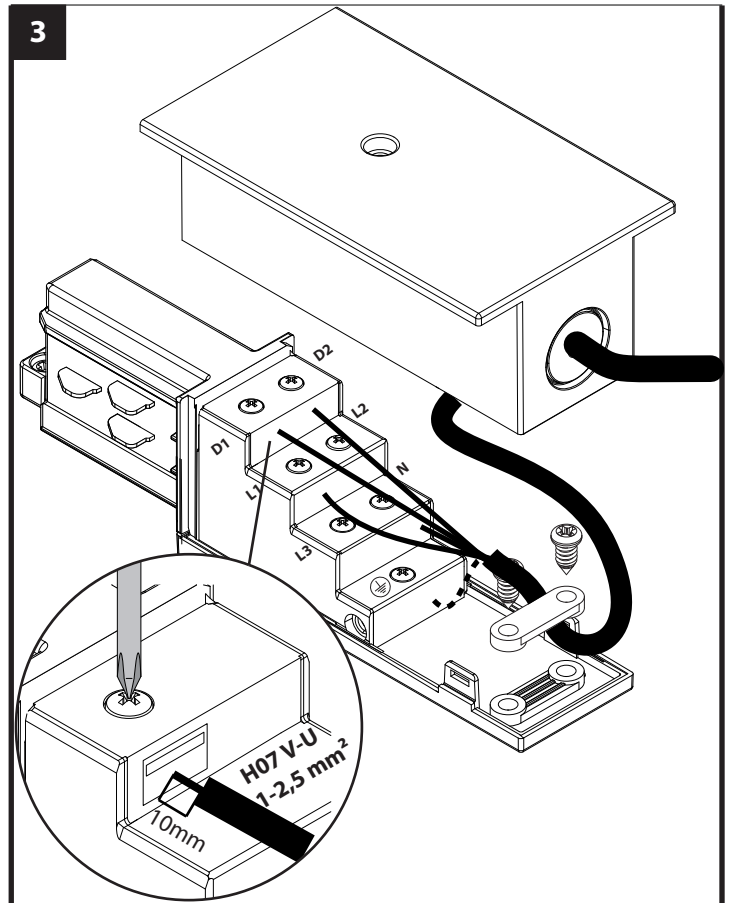
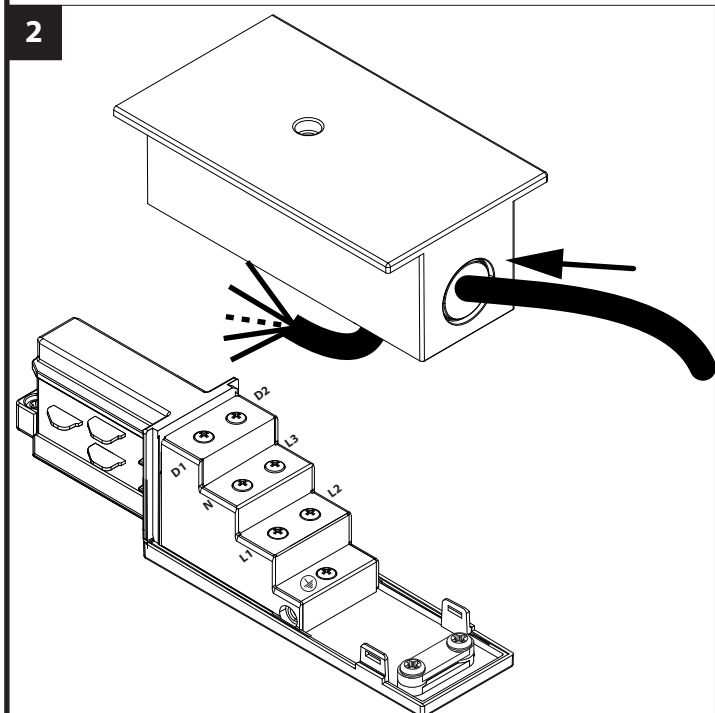
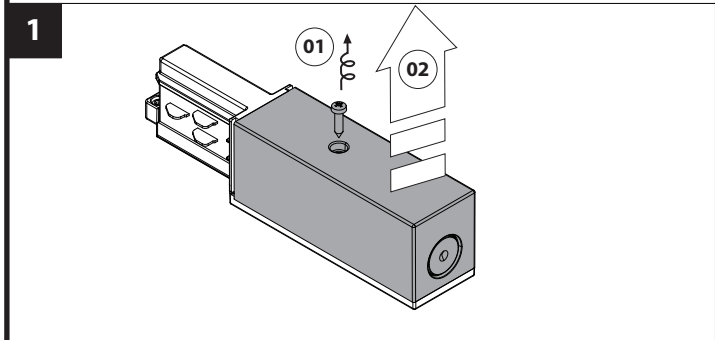
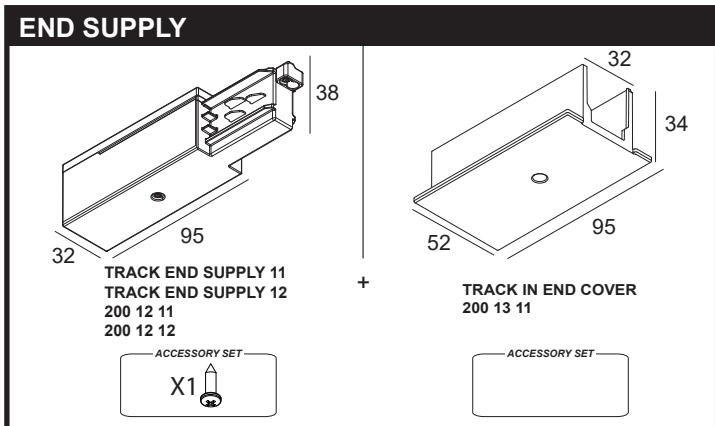
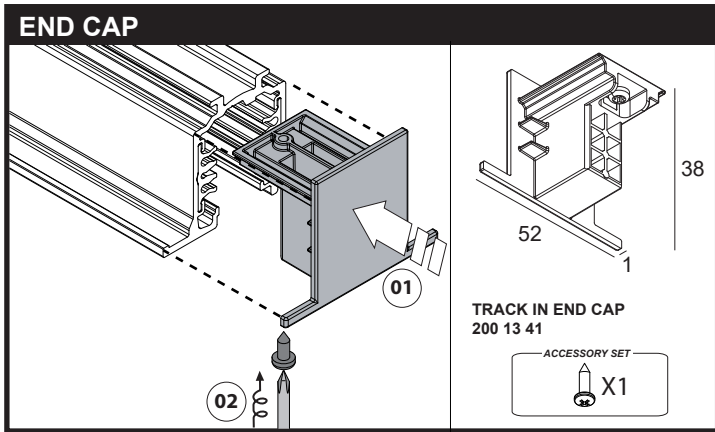
DEEL
PARTIE
TEIL
PART
PARTE
PARTE

A



IP20
 Beschermtd tegen vaste voorwerpen die groter zijn dan 12 mm
 Protégé contre les objets solides de plus de 12 mm
 Geschützt gegen Festkörper größer als 12 mm
 Protected against solid objects greater than 12 mm
 Protegido contra objetos sólidos superiores a 12 mm
 Protetto contro oggetti solidi più grandi di 12 mm

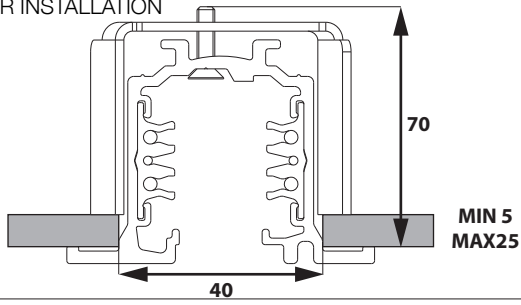




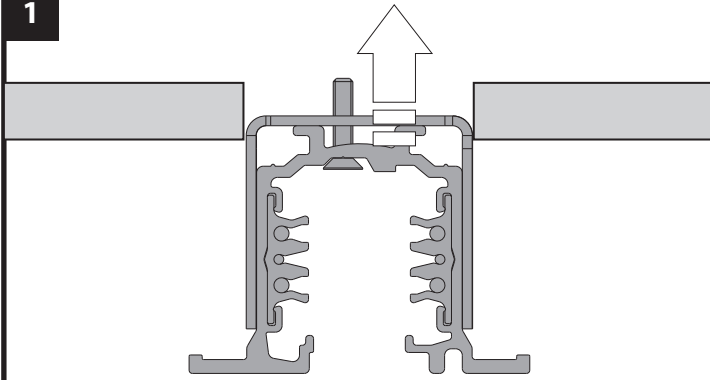
INSTALLATION

40 x (L + ENDCAP / SUPPLY / CORNERS) x 70

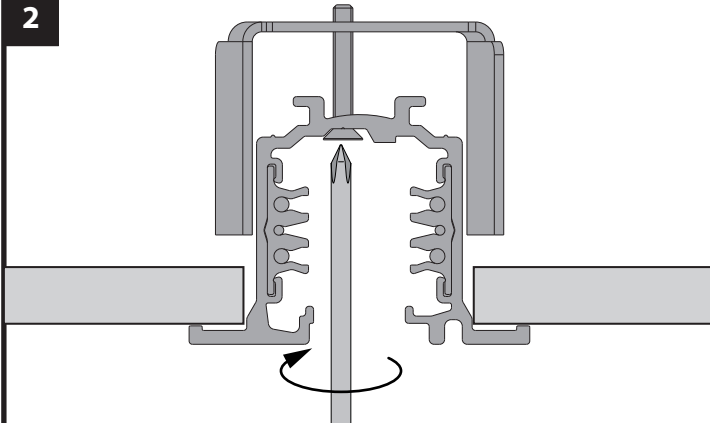
POSITION FOR INSTALLATION



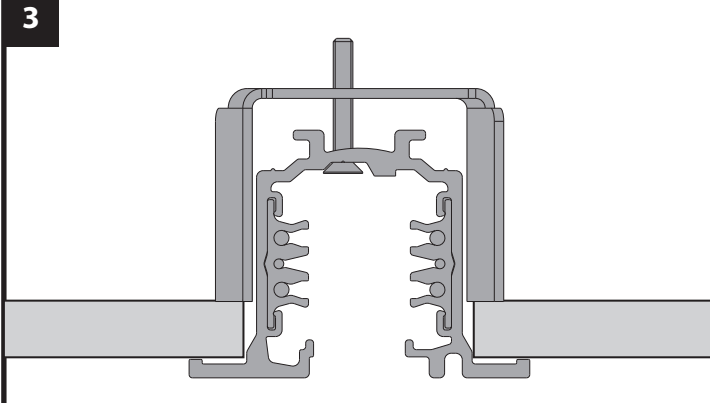
1



2



3



- Max load per meter: 25kg/m
- First fixation point max 250mm from ends
- To be able to hold 25kg/m, maximal interdistance between 2 fixation points $\leq 600\text{mm}$
When load is reduced to $< 10\text{kg/m}$, interdistance can be reduced to $\leq 900\text{mm}$